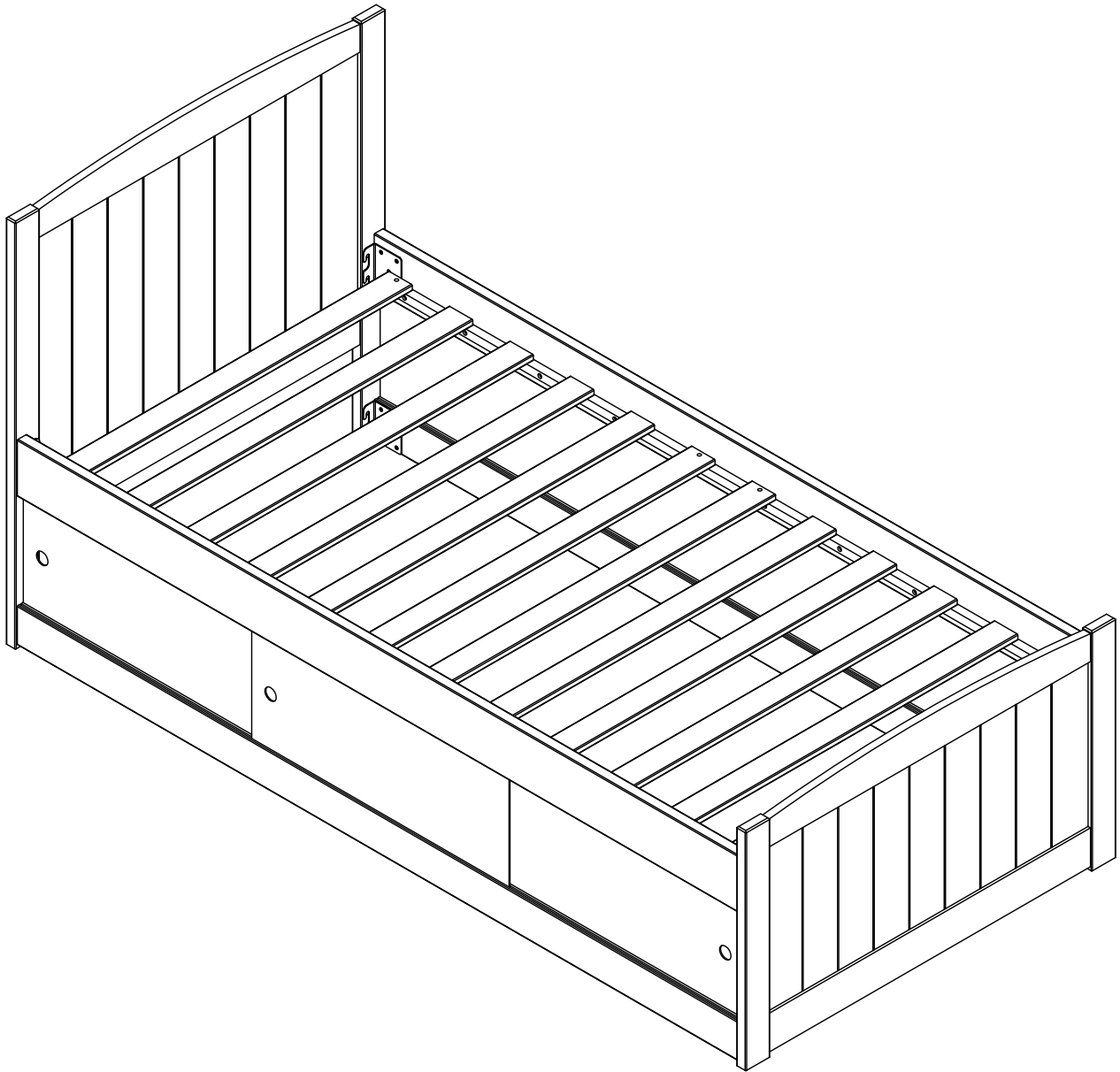


ASSEMBLY INSTRUCTION

MODEL : MAXI STORE 90CM BED




WARNING !

The packaging and contents can be a choking hazard, therefore keep them away from small children and babies as they may choke on them.



Safe and Care Advice

Important - Please read these instructions fully before starting assembly

- Check you have all the components and tools listed.
 - Remove all fittings from the plastic bags and separate them into their groups.
 - Keep children and animals away from the work area, small parts could choke if swallowed.
 - Make sure you have enough space to lay out the parts before starting.
 - Do not stand or put weight on the product, this could cause damage.
 - Assemble the item as close to its final position (in the same room) as possible.
 - Assemble on a soft level surface to avoid damaging the unit or your floor.
 - Parts of the assembly will be easier with 2 people.
- 
- We do not recommend the use of power drills/drivers for inserting screws as this could damage the unit. Only use hand screwdrivers.
 - Dispose all packaging carefully and responsibly.

Glue safety - Take care when using glue, please follow the advise below

- Skin contact :
Remove contamination by washing with soap and water. This procedure should also be followed prior to eating and drinking.
- Eye contact :
Rinse immediately with clean water for 15 minutes and seek medical advise.
- If swallowed :
Seek medical advise immediately.

Care and maintenance

- Only clean using a damp cloth and mild detergent, do not use bleach or abrasive cleaners.
- From time to time check that there are no loose screws on this unit.
- This product should not be discarded with household waste. Take to your local authority waste disposal center.

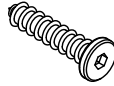
HARDWARE LIST

A 16 PCS



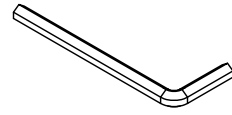
JCBB BOLT (M8 x 16MM)

B 8 PCS



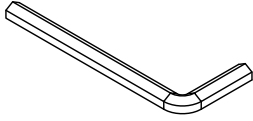
JCBC W SCREW (M7 x 32MM)

C 1 PC



ALLEN KEY (M4 x 60MM)

D 1 PC



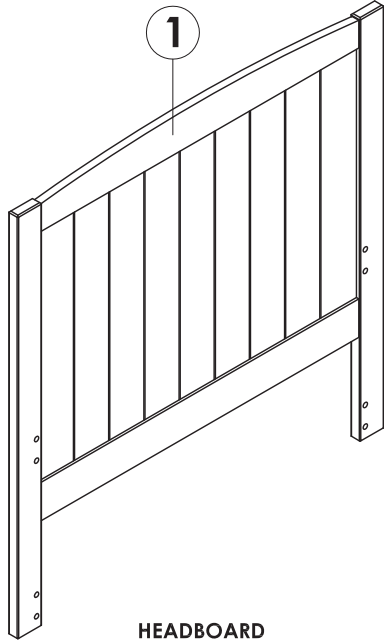
ALLEN KEY (M5 x 60MM)



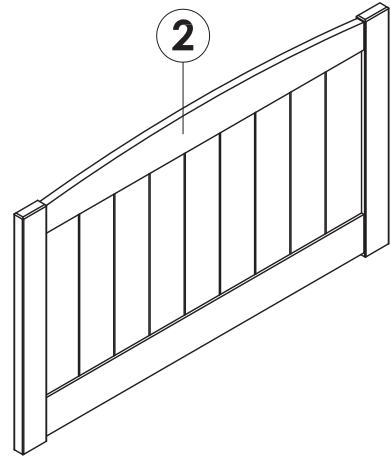
Do not recommend the use of power drills/drivers for inserting bolts/screws as this could damage the unit.

***Tools Required :
Crosshead Screw Driver***

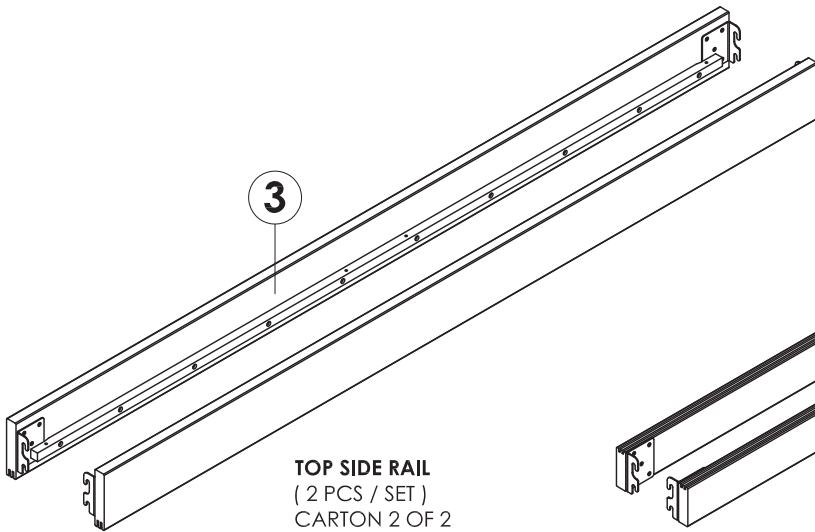
PART LIST



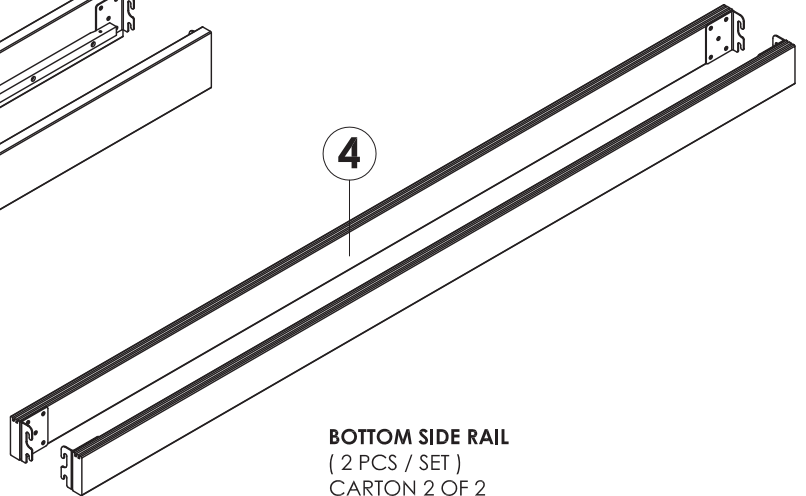
1
HEADBOARD
(1 PC / SET)
CARTON 1 OF 2



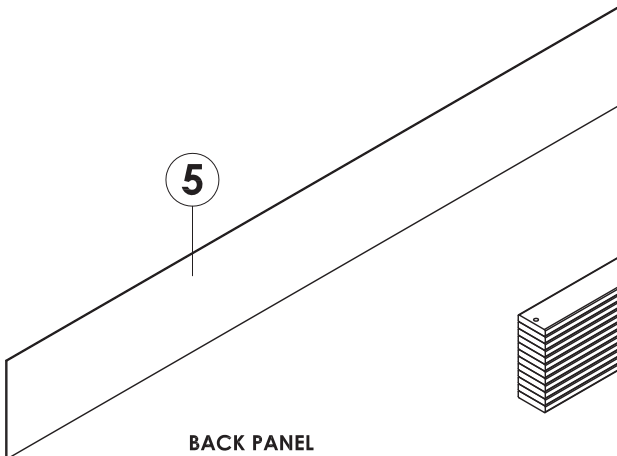
2
FOOTBOARD
(1 PC / SET)
CARTON 1 OF 2



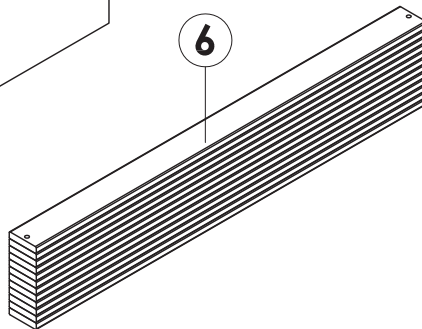
3
TOP SIDE RAIL
(2 PCS / SET)
CARTON 2 OF 2



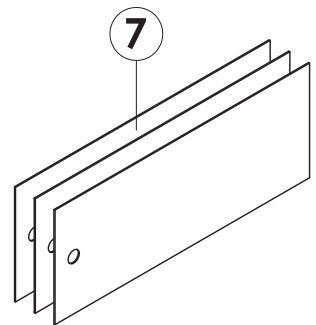
4
BOTTOM SIDE RAIL
(2 PCS / SET)
CARTON 2 OF 2



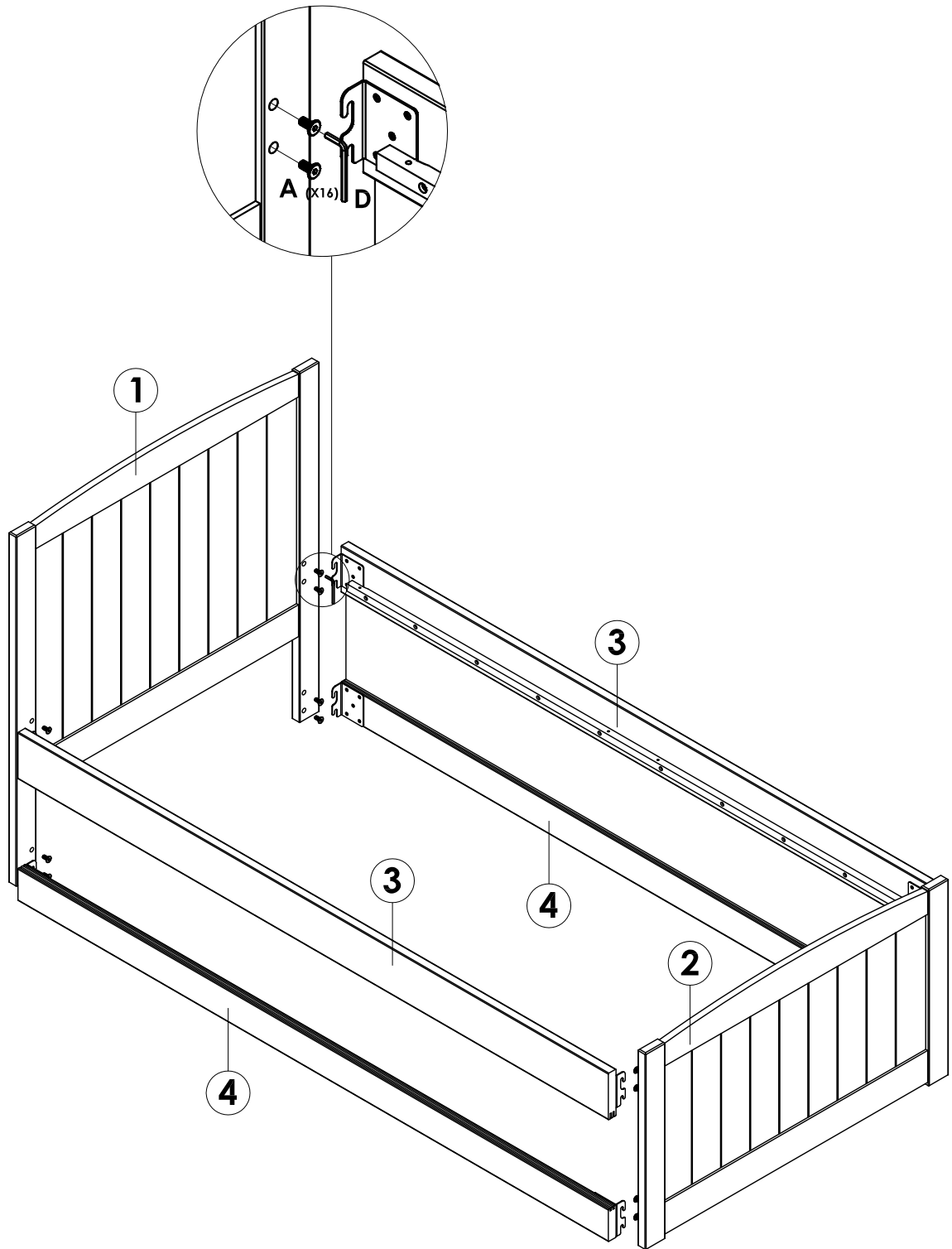
5
BACK PANEL
(1 PC / SET)
CARTON 1 OF 2



6
WOODEN SLAT
(12 PCS / SET)
CARTON 1 OF 2

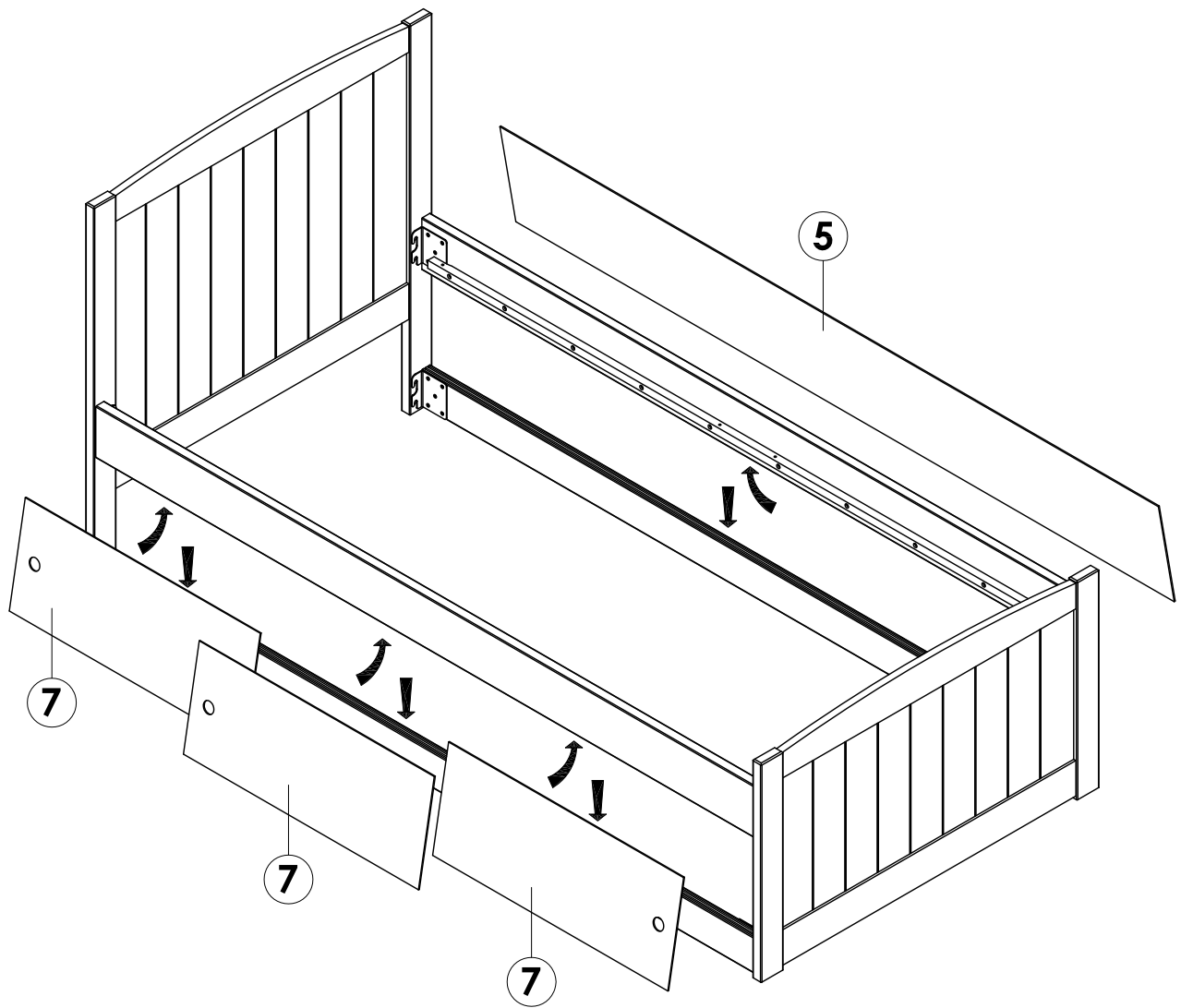


7
DOOR
(3 PCS / SET)
CARTON 1 OF 1



STEP 1

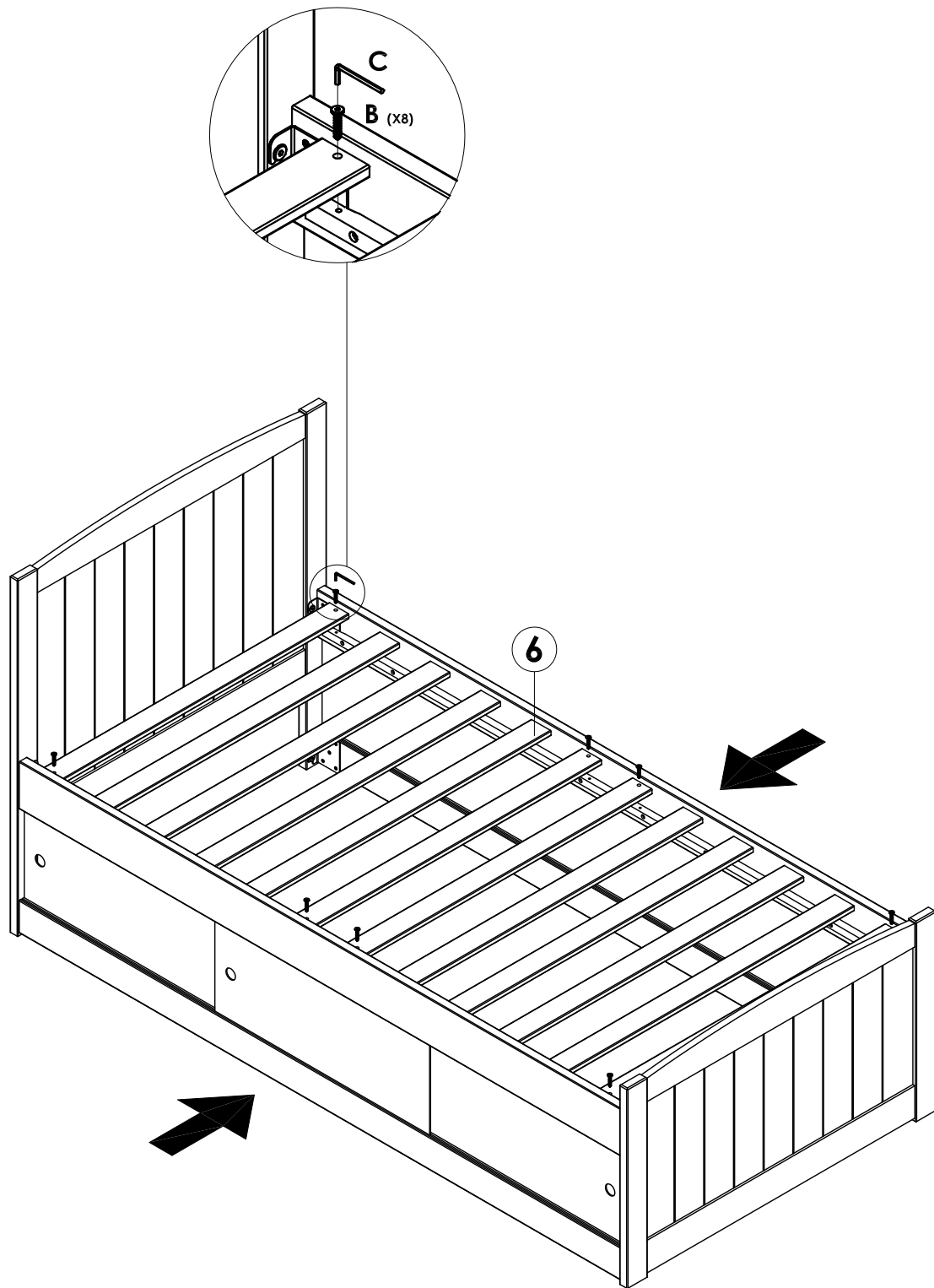
Attach and secure **Top Side Rail, Bottom Side Rail** onto **Headboard** and **Footboard** by using **(A)**, tighten it up by using **(D)**.



STEP 2

Install the **doors** (Left & Right) First, install by inserting in the **Top Side Rail** inside track groove on an angle. Straighten the **doors** and lower it into the **Bottom Side Rail** inside track groove. After that insert the **door** (Center) inserting in the outside track groove with the same way.

Install the **Back Panel** by inserting in the top front track groove on an angle. Straighten the **Back Panel** and lower it into the bottom front track groove.



STEP 3

Attach and secure **Wooden Slat** onto both **Top Side Rail** by using **(B)**, tighten it up by using **(C)**.

* Align both **Top Side Rail** before tightening the screws.